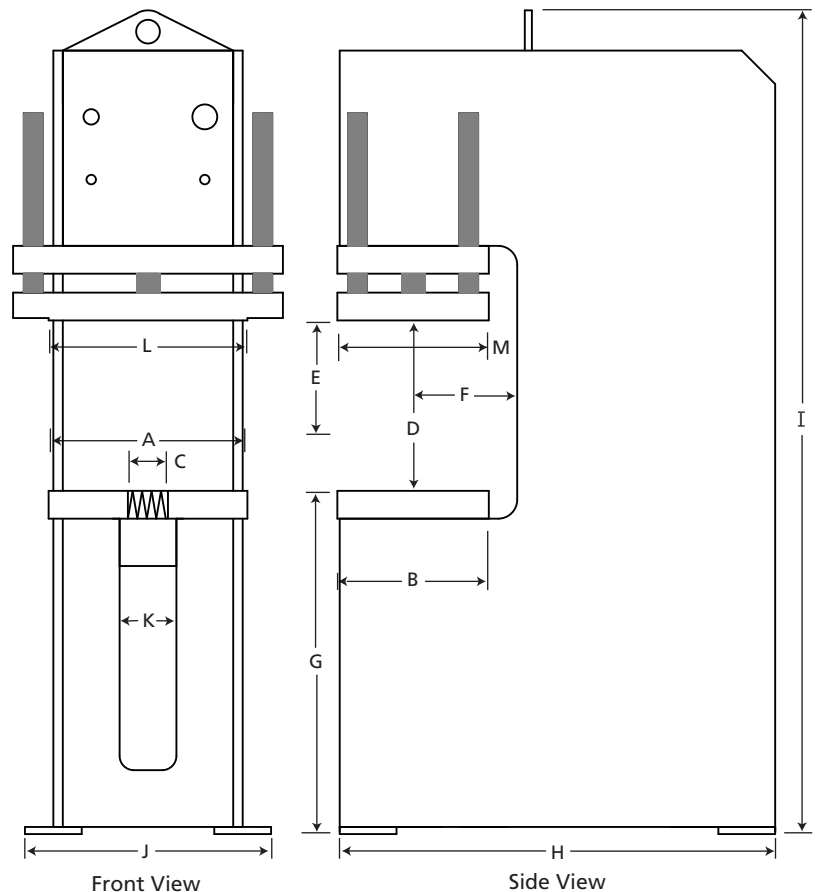


MODEL CFP-25	KEY	SPECS.											
Tons of force (maximum)		25											
Approach speed (inches per minute)		143											
Press speed (inches per minute)		21											
Return speed (inches per minute)		191											
Table (left to right)	A	21											
Table (front to back)	B	16											
U-Slot width	C	4											
Daylight	D	18											
Maximum stroke (adjustable)	E	12											
Throat	F	11											
Floor to table	G	36											
Front to back	H	46											
Height (overall)	I	87											
Width	J	26											
Clearance	K	Upper platen (left to right)	L	21	Upper platen (front to back)	M	16	Motor HP @ 1750 RPM		5 HP	Voltages available		230 / 460 / 575 3 PH. 60 HZ.
Upper platen (left to right)	L	21											
Upper platen (front to back)	M	16											
Motor HP @ 1750 RPM		5 HP											
Voltages available		230 / 460 / 575 3 PH. 60 HZ.											

C FRAME PRESS 25 TON

STANDARD FEATURES

- ✓ Pressure gauge.
- ✓ Pressure regulator.
- ✓ Adjustable speed control.
- ✓ Adjustable stroke control.
- ✓ Pressure reversal switch.
- ✓ Ram travel is guided by 4 precision-ground chromed rods.
- ✓ Jog mode used for simplifying setups.
- ✓ Dual Control - your choice of using:
 - (1) Moveable pedestal c/w dual electric palm buttons & extra emergency stop or
 - (2) Foot pedal.
- ✓ P.L.C. programmable control system.
- ✓ Quality BALDOR motor, low speed.
- ✓ Air-Cooled industrial oil cooler.
- ✓ **All hydraulic and mechanical parts are standard** in the industry, and available throughout North America.



MODEL	WEIGHT (LBS.)	SHIPPING DIMENSIONS L x W x H
CFP-25	4,000	54" 50" 94"